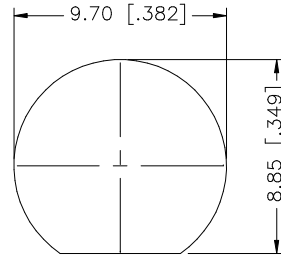
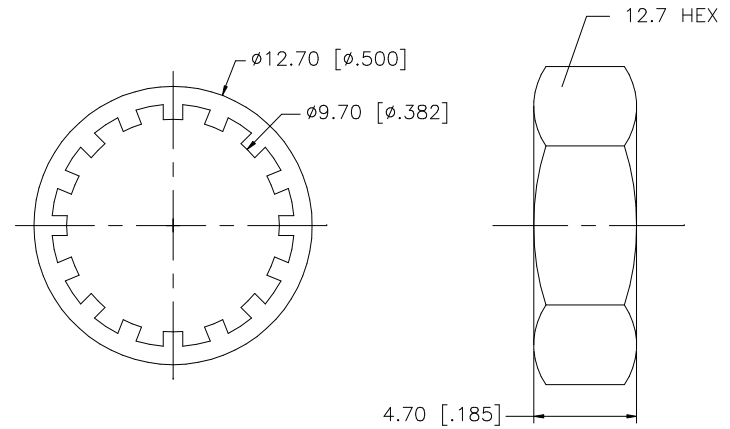
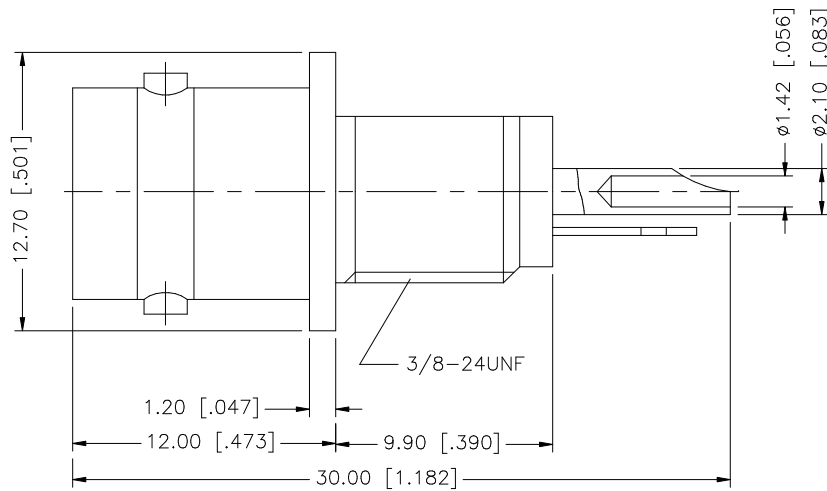


REV.	DATE	DESCRIPTION
A	11/19/03	UPDATE DRAWING FORMAT



RECOMMENDED MOUNTING HOLE



NOTE:

1. MAX. PANEL THICKNESS = 3.2mm
2. RECOMMENDED TORQUE: A MAXIMUM 12 INCH-LBS MAY BE APPLIED ON HEX NUT WHEN MOUNTING CONNECTOR IN PANEL

QTY	FINISH	MATERIAL	DESCRIPTION
1	NICKEL	BRASS	BODY
1	NICKEL	TEFLON	INSULATOR
1	GOLD	PHOS. BRONZE	CONTACT PIN
1	NICKEL	BRASS	HEX NUT
1	NICKEL	BRASS	LOCK WASHER
1			
8			

UNLESS OTHERWISE SPECIFIED DIMENSIONS ARE IN MILLIMETERS. DIMENSIONS IN [] ARE IN INCHES AND FOR CUSTOMER REFERENCE ONLY.		APPROVALS	DATE	<h1 style="color: blue; margin: 0;">Amphenol Connex</h1>
UNLESS OTHERWISE SPECIFIED TOLERANCES FOR MILLIMETERS ARE: 0.5 - 8mm ± 0.20mm 8 - 30mm ± 0.40mm 30 - 120mm ± 0.50mm		DRAWN	G.R.S. 11/19/03	
UNLESS OTHERWISE SPECIFIED TOLERANCES FOR INCHES ARE: .020 - .315 = ± 0.007" .315 - 1.180 = ± 0.015" 1.180 - 4.724 = ± 0.020"		CHECKED		
DO NOT SCALE DRAWING		ISSUED		
		SHEET	1 OF 1	
		CAD FILE	C:/112/112432.DWG	PART DESCRIPTION
		DWG. NO.	112432.DWG	BNC BULKHEAD RECEPTACLE ISOLATED JACK - 75ohm
		REV.	A	PART NO.
		SIZE	A	112432
		SCALE	NA	